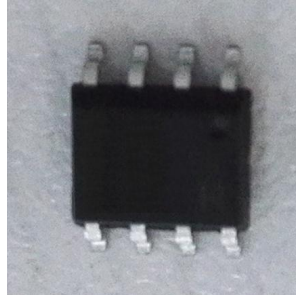


B030, Rev. -

1. Finish Goods PKG photo



2. Packing method

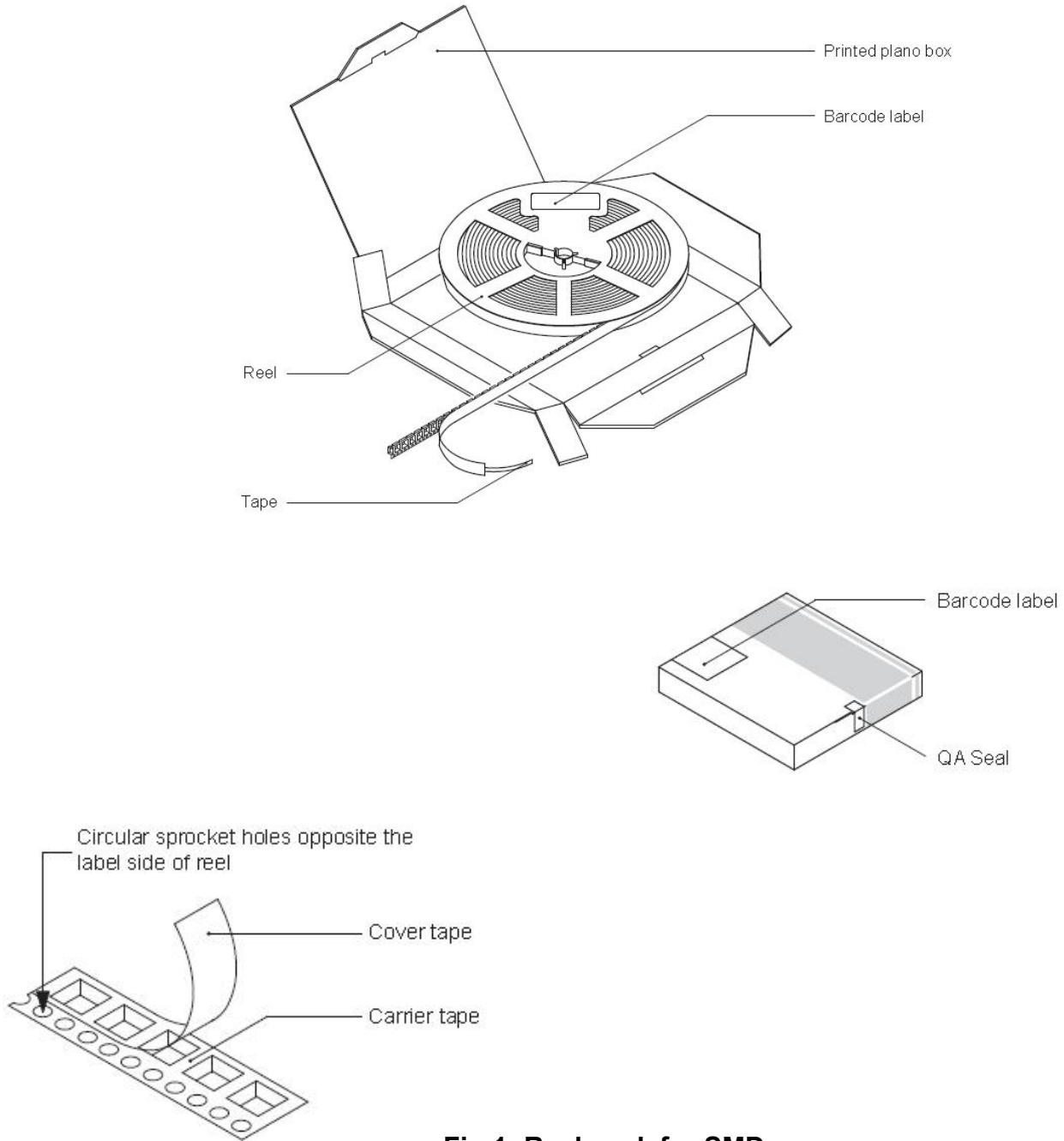


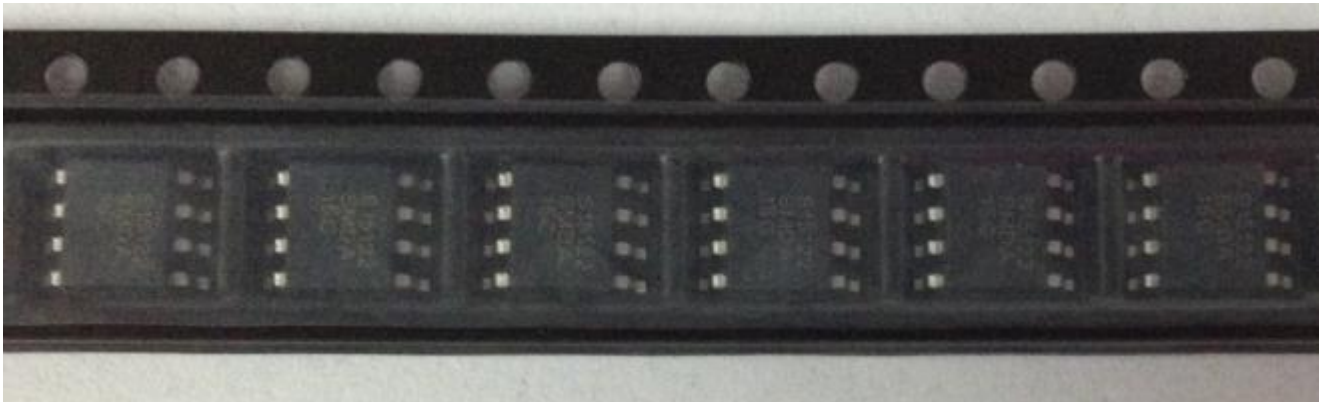
Fig.1- Reel pack for SMD

Table 1. Packing information

Package version	Reel dimensions $\phi \times H$ (mm)	SPQ/PQ (pcs)	Reels per box	Inner box dimensions L×W×H (mm)
SOP-8	$\phi 330 \times 17.6$	2500	1	336×336×48

### 3. Product orientation

Standard product orientation SOP-8



→  
direction of feed

Fig 2. Product orientation in carrier tape

### 4. Carrier tape dimensions (In mm)

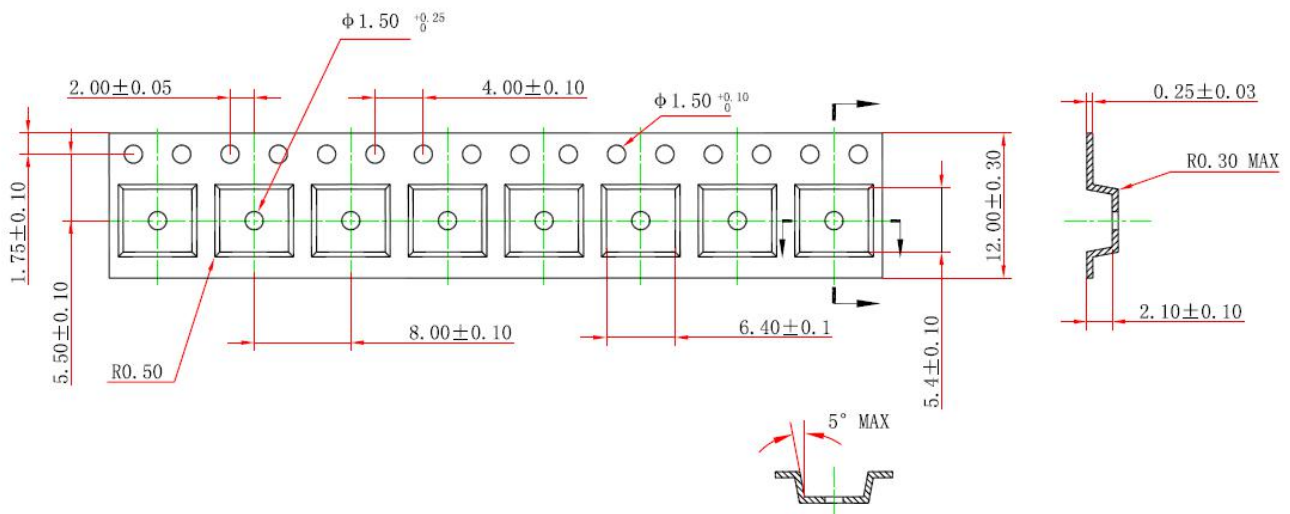


Fig 3. Carrier tape dimensions

5. Reel dimensions (In mm)

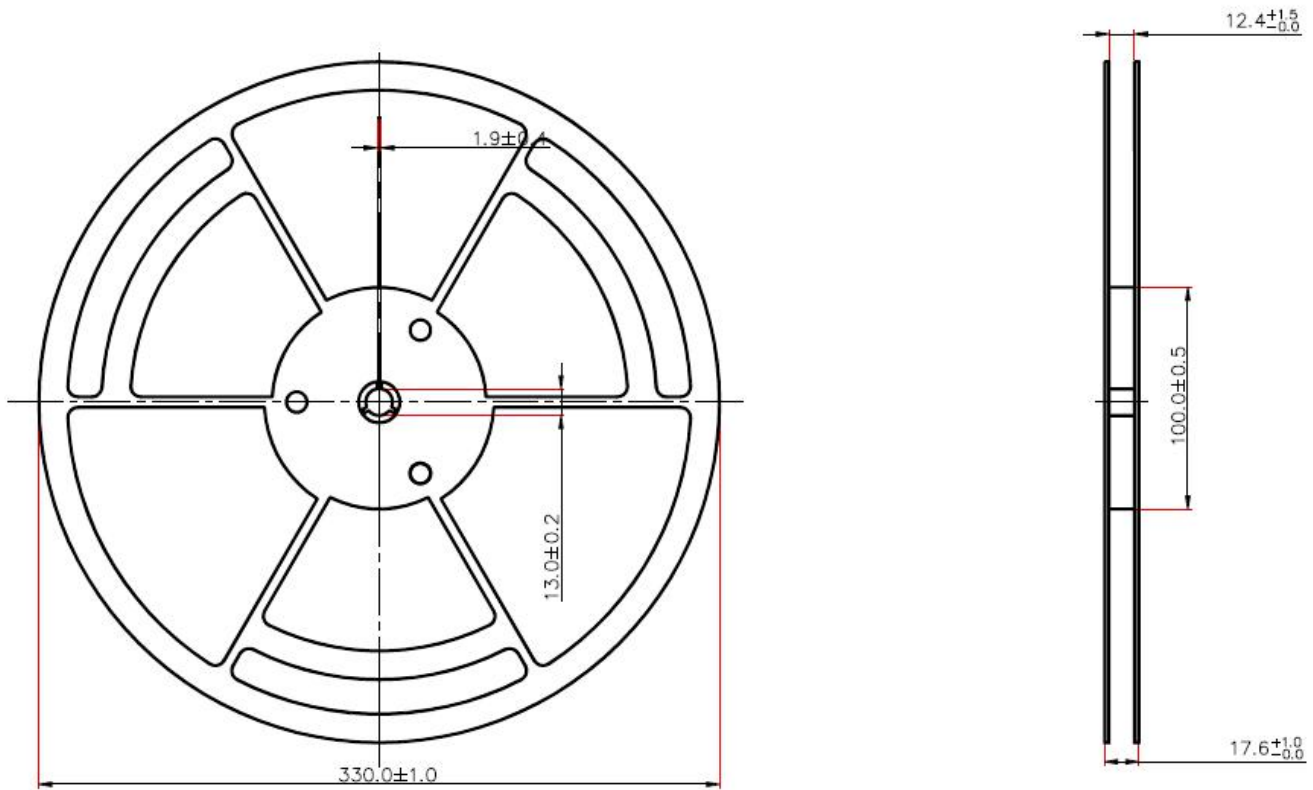


Fig 4. Reel dimensions